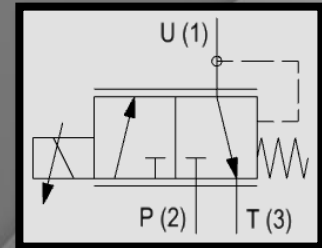
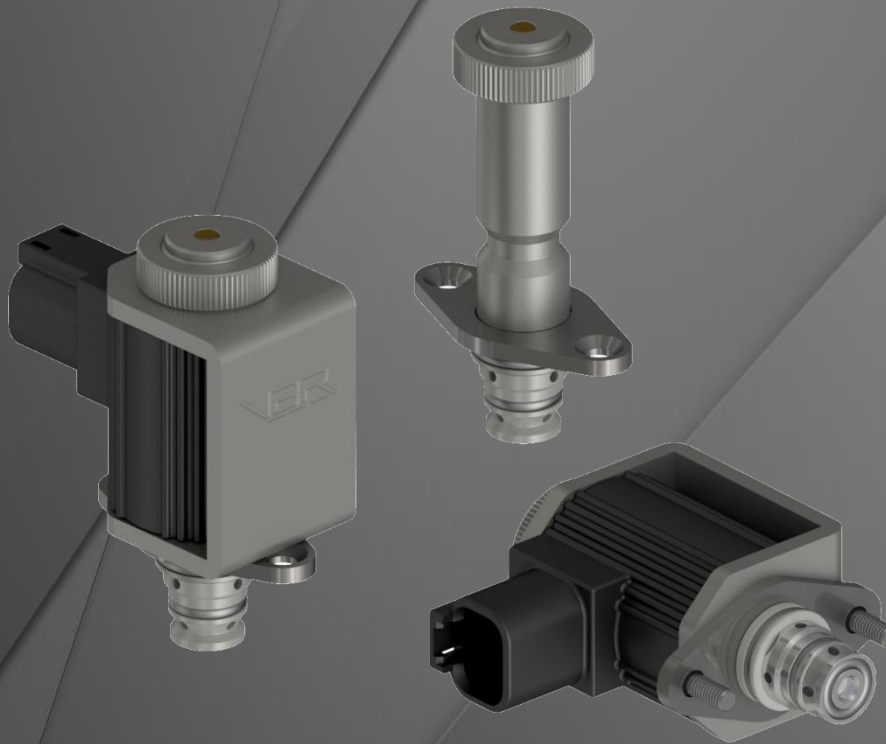


4D.02.801

DIRECT ACTING PROPORTIONAL PRESSURE REDUCING VALVE



MAIN FEATURS

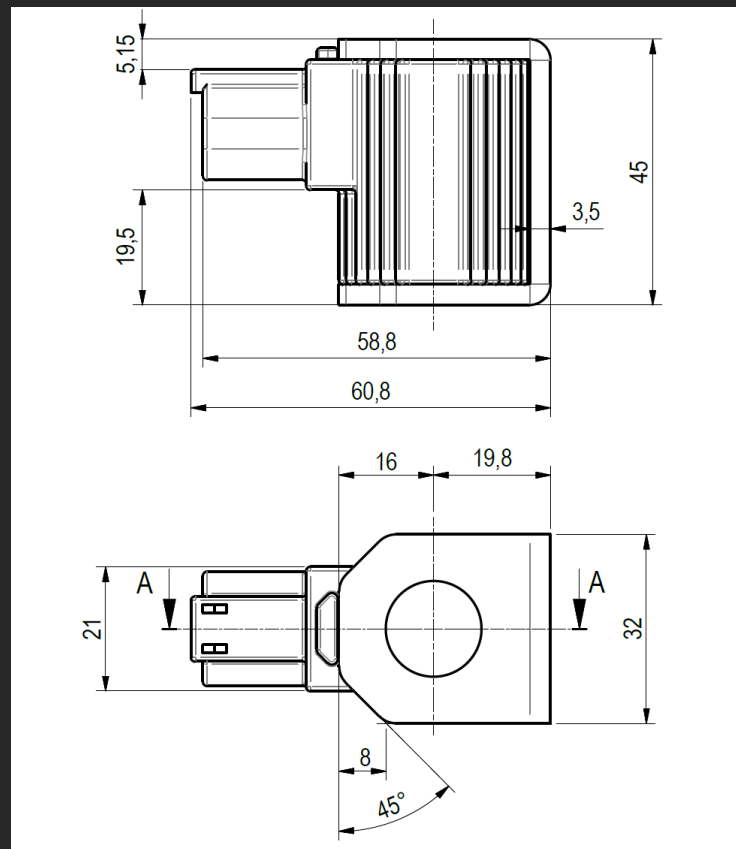
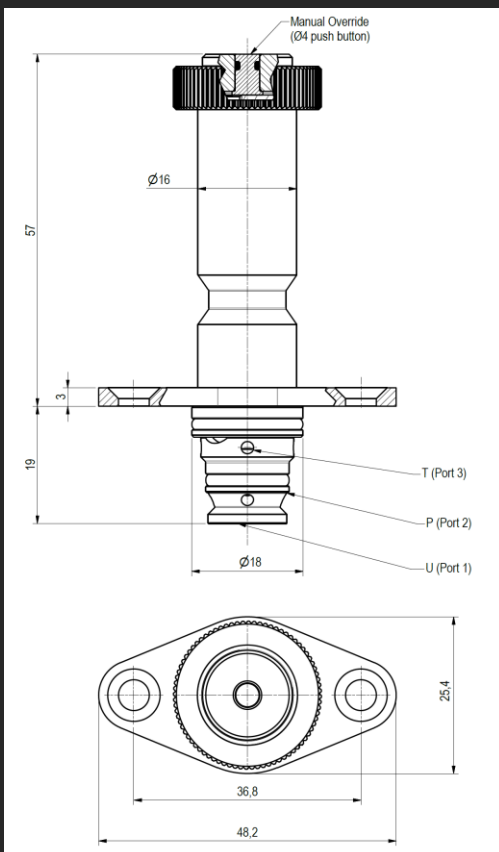
- Drop-in style
- Flow rating: up to 4l/min
- Supply pressure: max 50bar
- Regulated pressure: range A: 0÷20bar
- T-line pressure: max 50bar
- Manual override
- Interchangeable coil
- DIN43650, DT04-2P, AMP-JPT connectors
- Compact design

TECHNICAL SPECIFICATION

Max flowrate	4	<i>l/min</i>
Max pressure on P port	50	<i>bar</i>
Max pressure on T line	50	<i>bar</i>
Internal leakage @ 50bar	10	<i>cc/min</i>
Ambient temperature range	-20 / +50	<i>°C</i>
Fluid temperature range	-20 / +80	<i>°C</i>
Fluid viscosity range	10 ÷ 200	<i>cSt</i>
Fluid contamination degree	18/16/13	<i>ISO4406</i>
Nominal voltage	12 / 24	<i>VDC</i>
Control Current Range	0-1500 (12V) / 0-750 (24V)	<i>mA</i>
Coil Resistance	4.59 / 18.36	Ω
Connector type	DT04-2P, AMP-JPT, DIN	

Note: technical specification measured with mineral oil 46cSt @ 40°C

DIMENSIONS



CHARACTERISTIC CURVES

